

# Nomad

# SERVICE BULLETIN

## FUEL SYSTEM – REWORK OF CHECK VALVES TO PREVENT DAMAGE TO BOOST PUMP ELECTRICAL LEADS

### NOTE

Service Bulletin N22-28-2 must be incorporated prior to or in conjunction with this Service Bulletin.

### 1. PLANNING INFORMATION

#### A. Effectivity

(1) Aircraft Affected

Nomad N22 and N22B aircraft

N22-2, N22-3M, N22-4, N22B-5M, N22B-6M, N22B-7, N22-8M, N22-9M, N22B-11M, N22B-12M, N22B-13M, N22B-15M, N22-16M, N22-17M, N22B-18M, N22B-19M, N22B-20M, N22B-21M, N22B-22M and N22B-23M.

Affected aircraft other than those listed above will be modified prior to delivery or included in a subsequent revision to this Service Bulletin.

(2) Spares Affected

Part Number	Nomenclature	Recommended/Disposition
MS28885-8	Check Valve	Rework

#### B. Reason

During assembly of check valve PN MS 28885-8 and Boost Pump PN1C6-14, the pump electrical leads can be damaged and cut by the sharp corners of the hexagonal end of the check valve body.

#### C. Description

This Service Bulletin requires that the four check valves, PN MS 28885-8 in the left and right hand inboard fuel sumps be removed and reworked to avoid damage to electrical leads to fuel pumps PN 1C6-14.

### NOTE

Early aircraft have fuel pumps PN 1C6-2 fitted in which the condition does not occur, due to differing electrical wiring; nevertheless, this rework should be carried out since all future supply of boost pumps will be to PN 1C6-14.

#### D. Compliance

At next major service or replacement of Boost pumps.

Page No	1	2	3	4
Rev No	0	0	0	0

# **Nomad**

## SERVICE BULLETIN

### E. **Approval**

The rework described herein has been approved by the DOT Designated Engineering Representative at Government Aircraft Factories.

### F. **Manpower**

Approximately 4 hours and a crew of one man is required to accomplish this modification.

### G. **Material – Price and Availability**

None.

### H. **Tooling – Price and Availability**

None.

### I. **Weight and Balance**

No change.

### J. **References**

Maintenance Manual Chapter 28.

### K. **Publications Affected**

Maintenance Manual.

## 2. **ACCOMPLISHMENT INSTRUCTIONS**



**WARNING**

TO AVOID INJURY TO PERSONNEL OR DAMAGE TO EQUIPMENT, MAKE CERTAIN ADEQUATE PRECAUTIONS ARE TAKEN WHILE PERFORMING ANY WORK IF ELECTRICAL POWER IS APPLIED TO THE AIRCRAFT.



**CAUTION**

ELECTRICALLY GROUND THE AIRCRAFT.

- A. At both inboard fuel sumps remove, fuel check valves PN MS28885-8 as outlined in MM Chap 28-20-00 and rework inlet end of each valve by machining as shown in sketch below.

After rework treat machined surfaces with Alodine.

Ensure that electrical leads to boost pumps are undamaged and replace check valves as per MM Chap 28-20-00.

- B. GAF Modification N52 will incorporate the intent of this Service Bulletin.

# *Nomad*

## SERVICE BULLETIN

### 3. MATERIAL INFORMATION

#### A. Parts Required per Aircraft

- (1) Parts to be modified and rectified by the operator.

New Part No.	Qty.	Nomenclature	Old Part No.
1/N-57-308	4	Check Valve	MS 28885-8

#### B. Parts Required to Modify Spares

None.

#### C. Removed Parts

None.

### 4. SPECIAL TOOLS AND EQUIPMENT REQUIRED

None.

# Nomad

## SERVICE BULLETIN

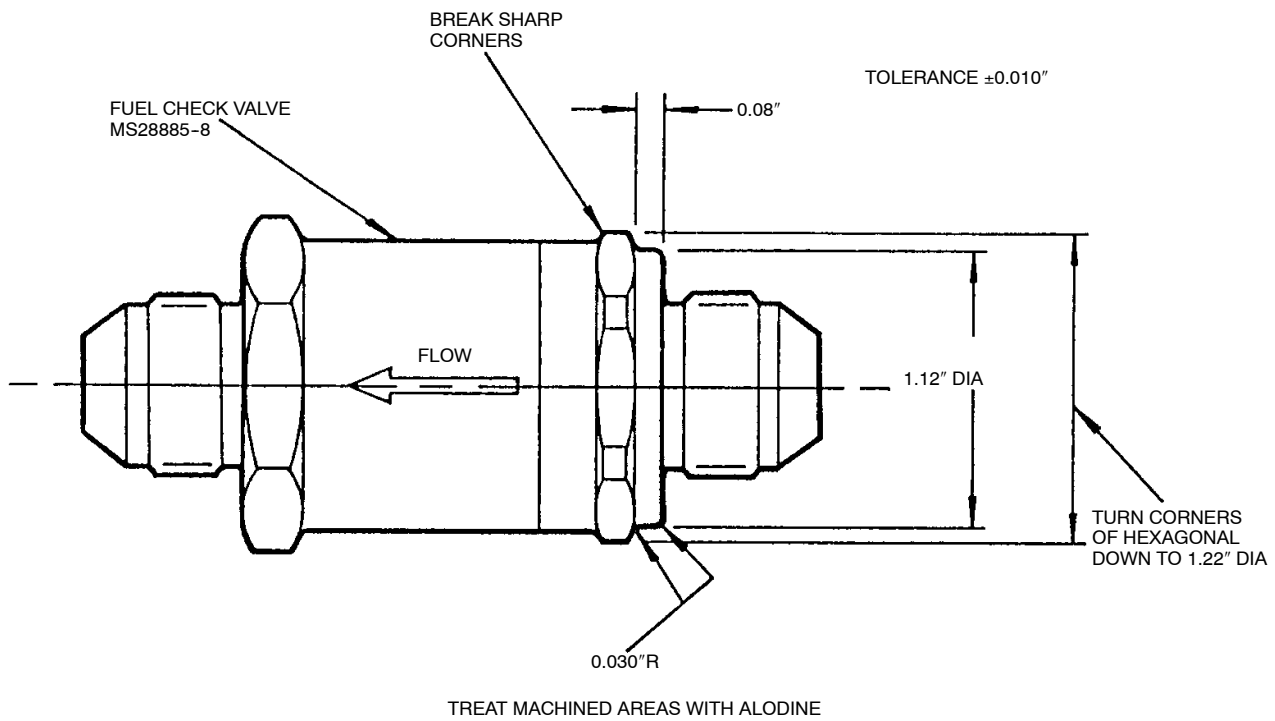


Figure 1 Fuel Check Valve MS28885-8